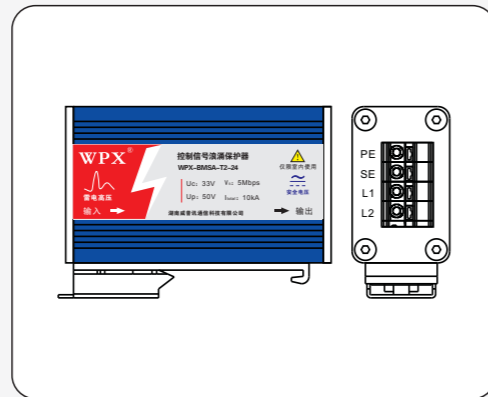


Control Signal Surge Protector Series Box

电涌保护器 2+3级/Class C+D

控制 信号浪涌保护器用于工业控制互连网络、RS422/485接口、自动控制 and 仪表线路、数据线以及电话设备、传真机等设备保护，还可以用于电流环中的传感器、二次仪表的保护；能抑制来自信号线上的感应雷电波，保护系统设备免遭感应雷击。

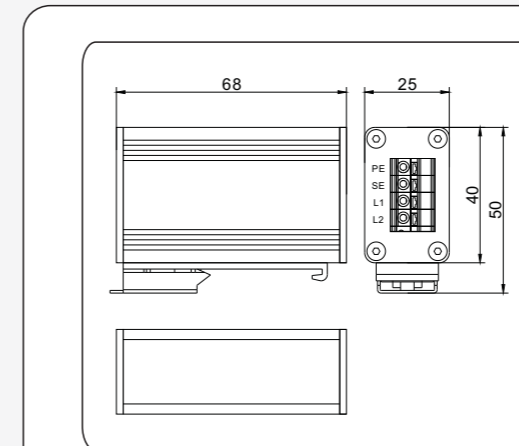


Control Signal SPD is connected in series to the input end of protected equipment. When the transmission line is stricken by lightning, the lightning current will be discharged to the ground through the lightning branch circuit, and the over-voltage will be clamped into an accepted voltage range of the equipment, which protects equipment. The product can be used in the protection of the industrial control network, RS422/485 interface, automatic control and instrumentation lines, data lines, telephones, facsimile apparatus, and other equipment, as well as the sensors and secondary meters in the circuit loop; meanwhile, it can suppress induced lightning strokes from signal lines to prevent system equipment being damaged.

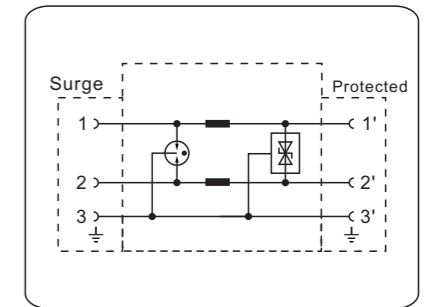
型号 货号	Model Number Art No.	WPX-BMSA-T2-5 681 101	WPX-BMSA-T2-12 681 102
型号 货号	Model Number Art No.	WPX-BMSA-T2-5K 681 111	WPX-BMSA-T2-12K 681 112
SPD分类	SPD category	Type 1+Type2	Type 1+Type2
标称工作电压	Rated Working Voltage(U ₀)	5V	12V
直流最大持续运行电压	DC Max Continuous Operating Voltage(U _c)	6V	15V
交流最大持续运行电压	AC Max Continuous Operating Voltage(U _c)	4.8V	11.5V
最大工作电流	Max working current(I _t)	0.5A	0.5A
D1总雷电冲击电流	D1 Total Impulse discharge current (10/350μs)(I _{imp})	3kA	3kA
D1每线冲击放电电流	D1 Impulse discharge current (10/350μs)(I _{imp})	1.5kA	1.5kA
C2线总标称放电电流	Total nominal discharge current (I _{total})	20kA	20kA
C2线每线标称放电电流	Nominal discharge current (I _n)	10kA	10kA
线-线电压保护水平	Voltage protection level wire-wire D1(U _p)	≤30V	≤45V
线-PE电压保护水平	Voltage protection level wire-PE D1(U _p)	≤30V	≤45V
线-线电压保护水平	Voltage protection level wire-wire 1kV/us C3(U _p)	≤20V	≤30V
线-PE电压保护水平	Voltage protection level wire-PE 1kV/us C3(U _p)	≤20V	≤30V
响应时间	Response Time(t _a)	≤1ns	≤1ns
插入损耗	Insertion Loss(10MHz)	≤0.5dB	≤0.5dB
串联阻抗	Impedance in series	2.2Ω	2.2Ω
传输速率	Transmission rate	10Mbps	10Mbps
相对湿度	Relative Humidity	≤95% (25°C)	≤95% (25°C)
工作温度范围	Working temperature range(TU)	-40°C---+80°C	-40°C---+80°C
大气压强	Atmospheric Pressure	86kPa...106kPa	86kPa...106kPa
接线方式	Wiring methods	压接端子/Crimp terminal	压接端子/Crimp terminal
接线端子压线范围	Terminal crimping wire range	0.3mm ² ~2.5mm ² /13AWG-28AWG	0.3mm ² ~2.5mm ² /13AWG-28AWG
外壳材质	Housing material	铝合金/Aluminum/UL V-0	铝合金/Aluminum/UL V-0
安装地点	Installation place	室内/Indoor	室内/Indoor
防护等级	Degree of protection (IP code)	IP20	IP20
安装方式	Installation methods	DIN 35mm rail	DIN 35mm rail

电涌保护器 2+3级/Class C+D

Control Signal Surge Protector Series



外形尺寸(Dimension):mm



基本原理图 (Circuit Diagram)

WPX-BMSA-T2-24 681 103	WPX-BMSA-T2-36 681 104	WPX-BMSA-T2-48 681 105	WPX-BMSA-T2-60 681 106	WPX-BMSA-T2-110 681 107
WPX-BMSA-T2-24K 681 113	WPX-BMSA-T2-36K 681 114	WPX-BMSA-T2-48 681 115	WPX-BMSA-T2-60K 681 116	WPX-BMSA-T2-110K 681 117
Type 1+Type2	Type 1+Type2	Type 1+Type2	Type 1+Type2	Type 1+Type2
24V	36V	48V	60V	110V
33V	45V	58V	75V	180V
23.5V	32V	40V	52V	125V
0.5A	0.5A	0.5A	0.5A	0.5A
3kA	3kA	3kA	3kA	3kA
1.5kA	1.5kA	1.5kA	1.5kA	1.5kA
20kA	20kA	20kA	20kA	20kA
10kA	10kA	10kA	10kA	10kA
≤75V	≤90V	≤120V	≤145V	≤380V
≤75V	≤90V	≤120V	≤145V	≤380V
≤50V	≤70V	≤90V	≤120V	≤320V
≤50V	≤70V	≤90V	≤120V	≤320V
≤1ns	≤1ns	≤1ns	≤1ns	≤1ns
≤0.5dB	≤0.5dB	≤0.5dB	≤0.5dB	≤0.5dB
2.2Ω	2.2Ω	2.2Ω	2.2Ω	2.2Ω
10Mbps	10Mbps	10Mbps	10Mbps	10Mbps
≤95% (25°C)	≤95% (25°C)	≤95% (25°C)	≤95% (25°C)	≤95% (25°C)
-40°C---+80°C	-40°C---+80°C	-40°C---+80°C	-40°C---+80°C	-40°C---+80°C
86kPa...106kPa	86kPa...106kPa	86kPa...106kPa	86kPa...106kPa	86kPa...106kPa
压接端子	压接端子	压接端子	压接端子	压接端子
0.3mm ² ~2.5mm ² /13AWG-28AWG				
铝合金/Aluminum/UL V-0				
室内	室内	室内	室内	室内
IP20	IP20	IP20	IP20	IP20
DIN 35mm rail	DIN 35mm rail	DIN 35mm rail	DIN 35mm rail	DIN 35mm rail