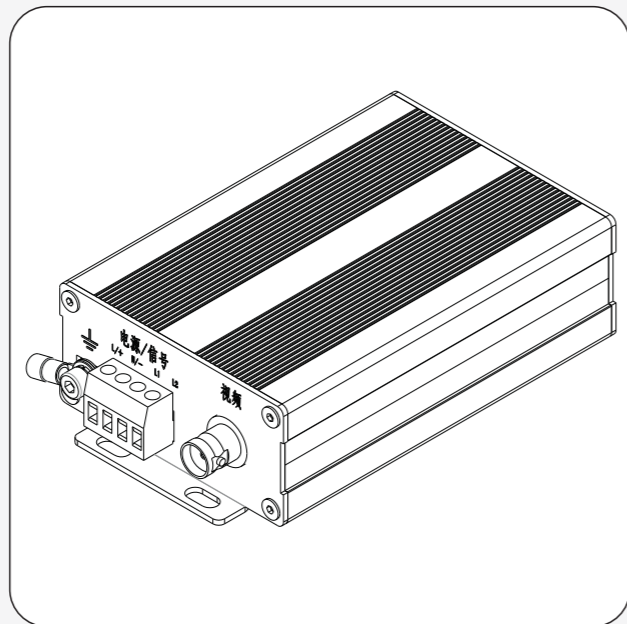


Multifunctional Surge Protector Series

电涌保护器 2+3级/Class C+D

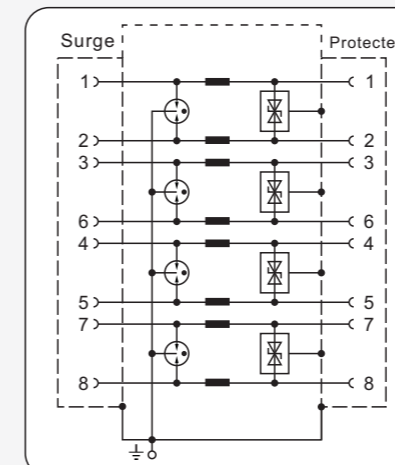
多功能SPD系列：顾名思义，即同时具有多种功能的SPD。可提供多种不同工作电压等级和不同信号类型组合，如：电源与信号组合用于保护视频监控类的SPD，用于天馈和电源组合用于保护馈线系统的SPD。并可根据用户需要，特制生产。



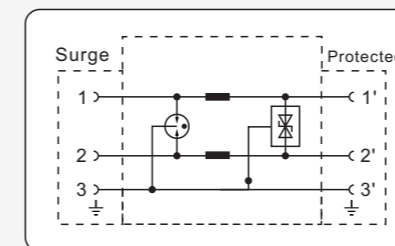
Multifunctional SPD series: As the name implies, that means SPD with various function in the meantime. We can provide such products with different working voltage grade and different signal type combination. E.g.: combination of power and signal SPD is used to protect video monitoring system, combination of antenna feeder and power SPD is used to protect feeder system. In addition, we are able to customize all kinds of products upon request of customers.

电涌保护器 2+3级/Class C+D

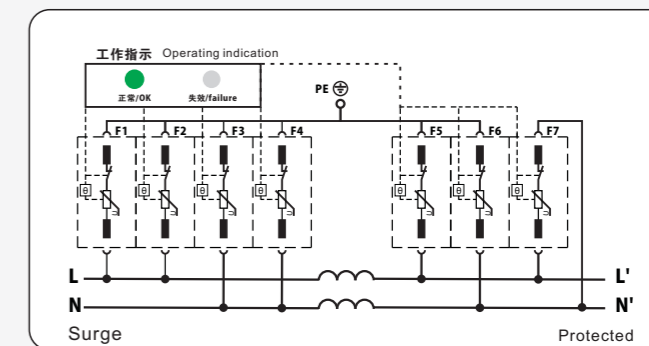
Multifunctional Surge Protector Series



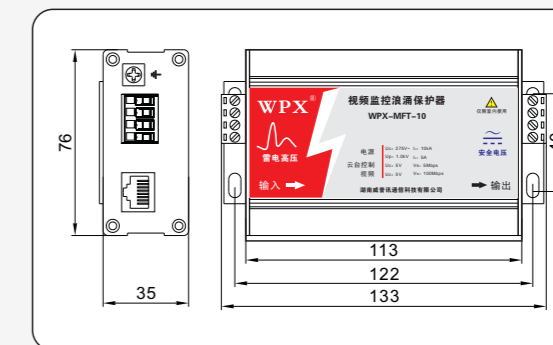
视频/基本原理图 (Video Circuit Diagram)



控制信号/基本原理图 (Data Signal Circuit Diagram)



电源/基本原理图 (Power Circuit Diagram)



外形尺寸(Dimension):mm

型号 货号	Model Number Art No.	WPX-MFT-10 510 101		
被保护部分	The protected part	电源/Power	控制信号/Data	网络/视频/Video
标称工作电压	Rated Working Voltage(U ₀)	220V	5V	5V
直流最大持续运行电压	DC Max Continuous Operating Voltage(U _c)	350V	8V	6V
交流最大持续运行电压	AC Max Continuous Operating Voltage(U _c)	275V	5.2V	4.8V
最大工作电流	Max working current (I _L)	5A	0.5A	0.5A
C2线-线总标称放电电流	C2 Total nominal discharge current (8/20μs)(I _n)	10kA	5kA	5kA
C2线-线每线标称放电电流	C2 nominal discharge current (8/20μs)per wire(I _n)	10kA	5kA	2.5kA
C2线-PE总标称放电电流	Total nominal discharge current C2-PE(I _n)	20kA	10kA	10kA
C2线-PE每线标称放电电流	Nominal discharge current per wire C2-PE(I _n)	10kA	5kA	2.5kA
电压保护水平	In Voltage protection level In(U _p)	≤1.0kV	/	/
线-线电压保护水平	Voltage protection level wire-wire C2(U _p)	/	≤40V	≤40V
线-PE电压保护水平	Voltage protection level wire-PE C2(U _p)	/	≤70V	≤70V
线-线电压保护水平	Voltage protection level wire-wire 1kV/usC3(U _p)	/	≤20V	≤20V
线-PE电压保护水平	Voltage protection level wire-PE 1kV/usC3(U _p)	/	≤20V	≤20V
传输速率	Transmission rate	/	5Mbps	100Mbps
接线方式	Wiring methods	压接端子	压接端子	RJ45屏蔽插座
接线端子压线范围	Terminal crimping wire range	0.3mm ² ~2.5mm ²	0.3mm ² ~2.5mm ²	/
响应时间	Response Time(t _A)	≤25ns	≤1ns	≤1ns
插入损耗	Insertion Loss(10MHz)	≥30dB	≤0.5dB	≤0.3dB
插入损耗	Insertion Loss(100MHz)	≥40dB	≤1.5dB	≤1.0dB
串联阻抗	Impedance in series	≤0.1Ω	2.2Ω	≤1.0Ω
大气压强	Atmospheric Pressure	86kPa...106kPa		
工作温度范围	Working temperature range(TU)	-40°C---+80°C		
外壳材质	Housing material	铝合金/Aluminum/UL V-0		
安装地点	Installation place	室内/Indoor		
防护等级	Degree of protection (IP code)	IP20		
安装方式	Installation methods	壁挂式/Wall mounting		

