

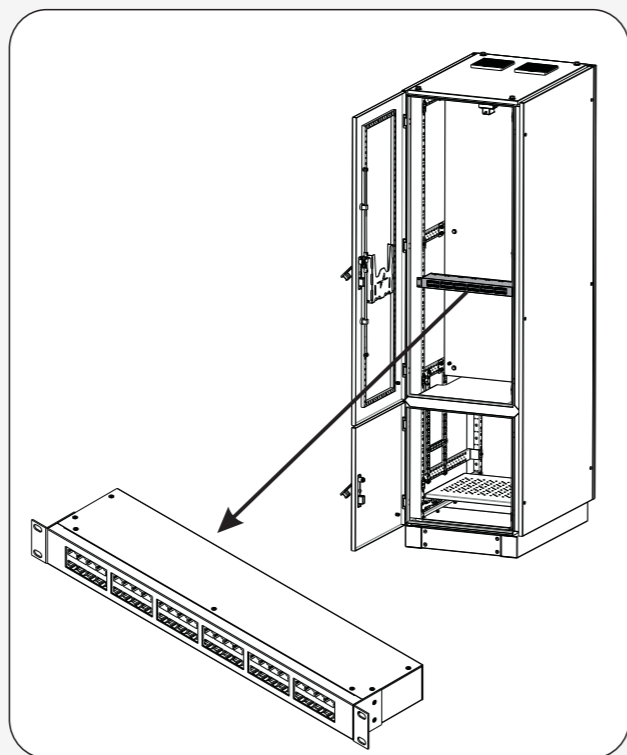
Network Surge Protector Series 100M

电涌保护器 2+3级/Class C+D

网络信号浪涌保护器用于保护高速以太网内部接口电路。串接在被保护设备的输入端，当传输线遭受到雷电感应时，雷电流通过保护器的雷电支路泄放到大地，并将雷电过电压箝位在设备允许的电压范围内，从而确保了设备的安全。

产品具有传输速率高、响应速度快、保护电平低等特点。能有效提高以太网抗过电压和雷电脉冲的能力。

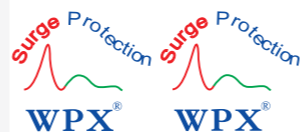
Network Surge Protector Series is used for protection of the interface circuit of high speed Ethernet. It is connected in the input end of protected equipment. When the transmission line is struck by lightning, the lightning current is discharged to the earth through the lightning branches, and the lightning overvoltage is clamped within a proper range, thus the security of equipment being ensured.



信号系统电涌保护

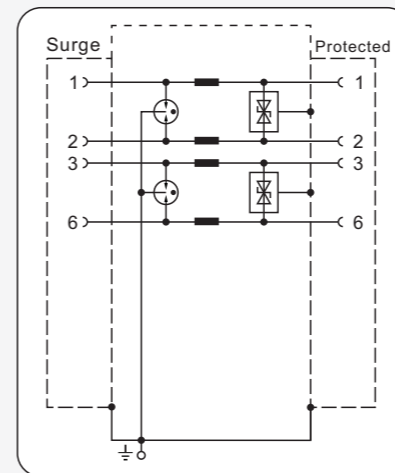
网络信号防雷器

型号 货号	Model Number Art No.	WPX-BHSA-24R2-5 691 101	WPX-BHSB-24R2-5 691 111
SPD分类	SPD category	Type2	Type2
标称工作电压	Rated Working Voltage(U ₀)	5V	5V
直流最大持续运行电压	DC Max Continuous Operating Voltage(U _c)	6V	6V
交流最大持续运行电压	AC Max Continuous Operating Voltage(U _c)	4.8V	4.8V
最大工作电流	Max working current (I _t)	0.5A	0.5A
C2线-线总标称放电电流	C2 Total nominal discharge current (8/20μs)(I _{total})	10kA	2.4kA
C2线-线每线标称放电电流	C2 nominal discharge current (8/20μs)per wire (I _n)	2.5kA	0.6kA
C2线-PE总标称放电电流	Total nominal discharge current C2-PE(I _{total})	20kA	20kA
C2线-PE每线标称放电电流	Nominal discharge current per wire C2-PE(I _n)	2.5kA	2.5kA
线-线电压保护水平	Voltage protection level wire-wire C2(U _p)	≤50V	≤35V
线-PE电压保护水平	Voltage protection level wire-PE C2(U _p)	≤70V	≤500V
线-线电压保护水平	Voltage protection level wire-wire 1kV/usC3(U _p)	≤25V	≤20V
线-PE电压保护水平	Voltage protection level wire-PE 1kV/usC3(U _p)	≤25V	≤600V
响应时间	Response Time(t _a)	≤1ns	≤1ns
传输速率	Transmission rate	100Mbps	100Mbps
插入损耗	Insertion Loss(100MHz)	≤1.0dB	≤0.8dB
串联阻抗	Impedance in series	≤0.5Ω	≤0.5Ω
被保护脚	Protected pin	1/2;3/6;	1/2;3/6;
相对湿度	Relative Humidity	≤95% (25°C)	≤95% (25°C)
工作温度范围	Working temperature range(TU)	-40°C---+80°C	-40°C---+80°C
大气压强	Atmospheric Pressure	86kPa...106kPa	86kPa...106kPa
接线方式	Wiring methods	RJ45(屏蔽/shield)	RJ45(屏蔽/shield)
端口数量	Port numbers	in-24×RJ45 ; out-24×RJ45	in-24×RJ45 ; out-24×RJ45
外壳材质	Housing material	冷轧钢板/SPCC/UL V-0	冷轧钢板/SPCC/UL V-0
安装地点	Installation place	室内/Indoor	室内/Indoor
防护等级	Degree of protection (IP code)	IP20	IP20
安装方式	Installation methods	19英寸机柜1U/19-inch rack	19英寸机柜1U/19-inch rack

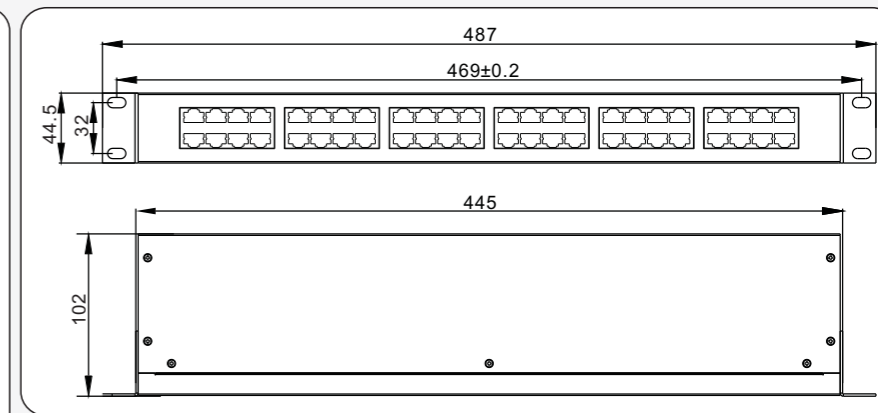


电涌保护器 2+3级/Class C+D

Network Surge Protector Series



基本原理图 (Circuit Diagram)



外形尺寸(Dimension):mm

信号系统电涌保护

网络信号防雷器

WPX-BHSA-16R2-5 691 102	WPX-BHSB-16R2-5 691 112	WPX-BHSA-4R2-5(parts) 691 001	WPX-BHSB-4R2-5(parts) 691 002
Type2	Type2	Type2	Type 2
5V	5V	5V	5V
6V	6V	6V	6V
4.8V	4.8V	4.8V	4.8V
0.5A	0.5A	0.5A	0.5A
10kA	2.4kA	10kA	2.4kA
2.5kA	0.6kA	2.5kA	0.6kA
20kA	20kA	20kA	20kA
2.5kA	2.5kA	2.5kA	2.5kA
≤50V	≤35V	≤50V	≤35V
≤70V	≤500V	≤70V	≤500V
≤25V	≤20V	≤25V	≤20V
≤25V	≤600V	≤25V	≤600V
≤1ns	≤1ns	≤1ns	≤1ns
100Mbps	100Mbps	100Mbps	100Mbps
≤1.5dB	≤0.8dB	≤1.5dB	≤0.8dB
≤0.5Ω	≤0.5Ω	≤0.5Ω	≤0.5Ω
1/2;3/6;	1/2;3/6;	1/2;3/6;	1/2;3/6;
≤95% (25°C)	≤95% (25°C)	≤95% (25°C)	≤95% (25°C)
-40°C---+80°C	-40°C---+80°C	-40°C---+80°C	-40°C---+80°C
86kPa...106kPa	86kPa...106kPa	86kPa...106kPa	86kPa...106kPa
RJ45(屏蔽/shield)	RJ45(屏蔽/shield)	RJ45(屏蔽/shield)	RJ45(屏蔽/shield)
in-16×RJ45 ; out-16×RJ45	in-16×RJ45 ; out-16×RJ45	in-4×RJ45 ; out-4×RJ45	in-4×RJ45 ; out-4×RJ45
冷轧钢板/SPCC/UL V-0	冷轧钢板/SPCC/UL V-0	冷轧钢板/SPCC/UL V-0	冷轧钢板/SPCC/UL V-0
室内/Indoor	室内/Indoor	室内/Indoor	室内/Indoor
IP20	IP20	IP20	IP20
19英寸机柜1U/19-inch rack	19英寸机柜1U/19-inch rack	BHSA-24/16R4-5配件 (accessory)	BHSB-24/16R4-5配件 (accessory)