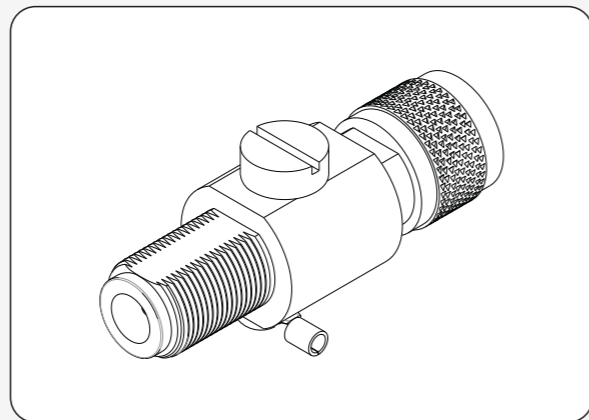


Antenna Feeder Signal Surge Protector Series N

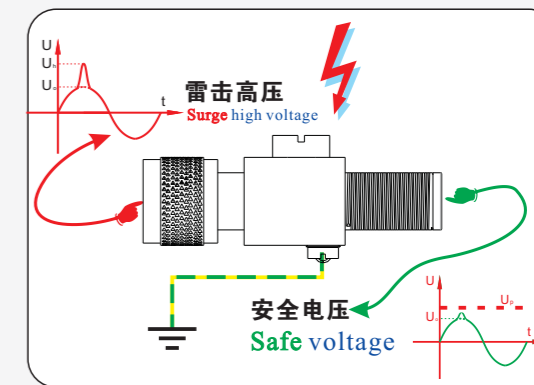
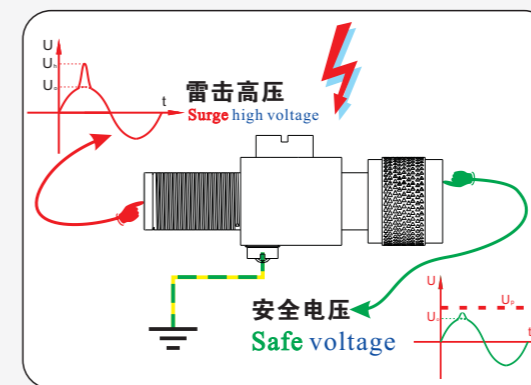
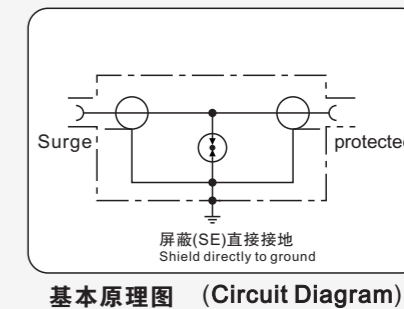
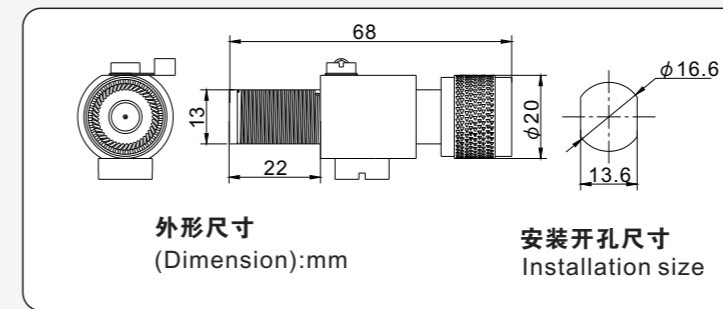
天馈SPD系列 (N) : N型接口天馈浪涌保护器用于无线接收、发射设备馈线端口的防浪涌过电压保护。如无线通信、导航系统、广播天线等,采用同轴气放管技术,浪涌保护器产品频率范围宽、插入损耗低,反射损耗低,保护效果好。



AF SPD Series (N): AF SPD with N type connection is applied to the feeder ports of wireless receiving and transmitting equipment (such as wireless communications, navigation systems, radio antenna etc) lightning protection. Adopt coaxial gas pipes technology, surge protector with the features of wide frequency range, low insertion loss, low reflection loss and good lightning protection effect.

型号 货号	Model Number Art No.	WPX-AFA-58N 650 101	WPX-AFB-58N 650 111
SPD分类	SPD category	Type 1+Type 2	Type 1+Type 2
直流最大持续运行电压	DC Max Continuous Operating Voltage(Uc)	32V	32V
交流最大持续运行电压	AC Max Continuous Operating Voltage(Uc)	60V	60V
最大工作电流	Max working current (I _L)	3A	3A
D1冲击放电电流	D1 Impulse discharge current (10/350μs)(I _{imp})	2kA	1.2kA
C2标称放电电流	D1 Nominal discharge current (In)	10kA	10kA
D1电压保护水平	Voltage protection level D1(U _F)	≤400V	≤400V
C2电压保护水平	Voltage protection level D1(U _F)	≤700V	≤700V
C3电压保护水平	Voltage protection level wire-wire 1kV/us C3(U _F)	≤600V	≤600V
工作频率	The working frequency	0-5.8GHz	0-5.8GHz
适用功率	Applicable power	100W	100W
插入损耗	Insertion Loss(0-2.5GHz)	≤0.2dB	≤0.2dB
插入损耗	Insertion Loss(2.5-4GHz)	≤0.3dB	≤0.3dB
插入损耗	Insertion Loss(4-5.8GHz)	≤0.5dB	≤0.5dB
驻波比	VSWR	≤1.2	≤1.2
特性阻抗	Characteristic impedance	50Ω	75Ω
响应时间	Response Time(t _A)	≤15ns	≤15ns
相对湿度	Relative Humidity	≤95% (25°C)	≤95% (25°C)
工作温度范围	Working temperature range(TU)	-40°C---+80°C	-40°C---+80°C
大气压强	Atmospheric Pressure	86kPa...106kPa	86kPa...106kPa
接口类型	Model of port (input/output)	N-J/K	N-J/K
外壳材质	Housing material	黄铜/Brass	黄铜/Brass
安装地点	Installation place	室内Indoor/室外Outdoor	室内Indoor/室外Outdoor
防护等级	Degree of protection (IP code)	IP65	IP65
测试标准	Test Criteria	IEC 61643-21/GB/T 18802.21	IEC 61643-21/GB/T 18802.21

Antenna Feeder Surge Protector Series N



型号 货号	Model Number Art No.	WPX-AFA-40N 650 102	WPX-AFB-40N 650 112
SPD分类	SPD category	Type 1+Type 2	Type 1+Type 2
直流最大持续运行电压	DC Max Continuous Operating Voltage(Uc)	32V	32V
交流最大持续运行电压	AC Max Continuous Operating Voltage(Uc)	60V	60V
最大工作电流	Max working current (I _L)	3A	3A
D1冲击放电电流	D1 Impulse discharge current (10/350μs)(I _{imp})	2kA	1.2kA
C2标称放电电流	D1 Nominal discharge current (In)	10kA	10kA
D1电压保护水平	Voltage protection level D1(U _F)	≤400V	≤400V
C2电压保护水平	Voltage protection level D1(U _F)	≤700V	≤700V
C3电压保护水平	Voltage protection level wire-wire 1kV/us C3(U _F)	≤600V	≤600V
工作频率	The working frequency	0-4GHz	0-4GHz
适用功率	Applicable power	100W	100W
插入损耗	Insertion Loss(0-2.5GHz)	≤0.2dB	≤0.2dB
插入损耗	Insertion Loss(2.5-4GHz)	≤0.3dB	≤0.3dB
插入损耗	Insertion Loss(4-5.8GHz)	——	——
驻波比	VSWR	≤1.2	≤1.2
特性阻抗	Characteristic impedance	50Ω	75Ω
响应时间	Response Time(t _A)	≤15ns	≤15ns
相对湿度	Relative Humidity	≤95% (25°C)	≤95% (25°C)
工作温度范围	Working temperature range(TU)	-40°C---+80°C	-40°C---+80°C
大气压强	Atmospheric Pressure	86kPa...106kPa	86kPa...106kPa
接口类型	Model of port (input/output)	N-J/K	N-J/K
外壳材质	Housing material	黄铜/Brass	黄铜/Brass
安装地点	Installation place	室内Indoor/室外Outdoor	室内Indoor/室外Outdoor
防护等级	Degree of protection (IP code)	IP65	IP65
测试标准	Test Criteria	IEC 61643-21/GB/T 18802.21	IEC 61643-21/GB/T 18802.21

