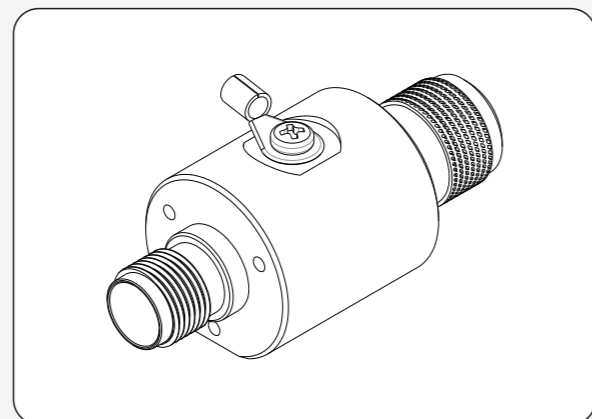


Antenna Feeder Signal Surge Protector Series TNC



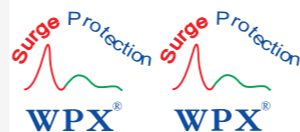
天馈SPD系列(TNC): TNC接口的天馈浪涌保护器用于无线接收、发射设备馈线端口的防浪涌过电压保护。如导航系统、网关天线等。采用同轴气放管技术，浪涌保护器产品频率范围宽、插入损耗低，反射损耗低，保护效果好。

AF SPD Series (TNC): AF SPD with TNC type connection is applied to the feeder ports of wireless receiving and transmitting equipment (such as navigation systems, gateway antenna etc) lightning protection. Adopt coaxial gas pipes technology, surge protector with the features of wide frequency range, low insertion loss, low reflection loss and good lightning protection effect.

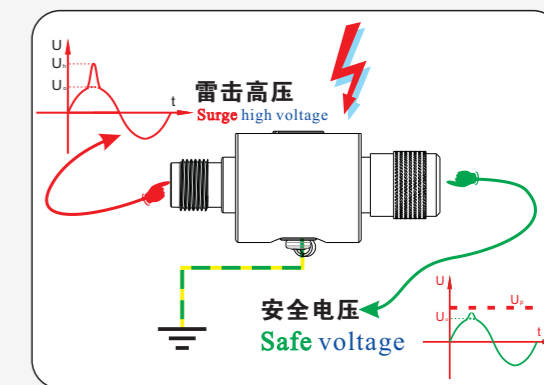
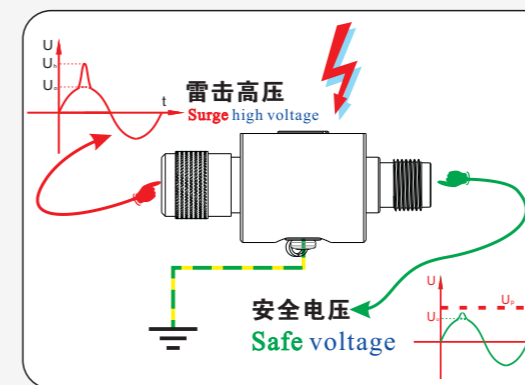
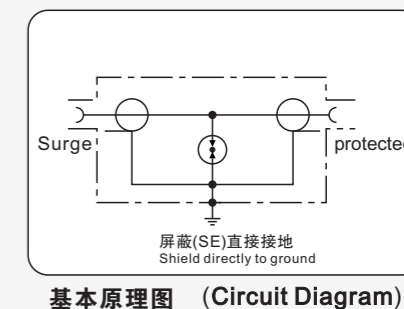
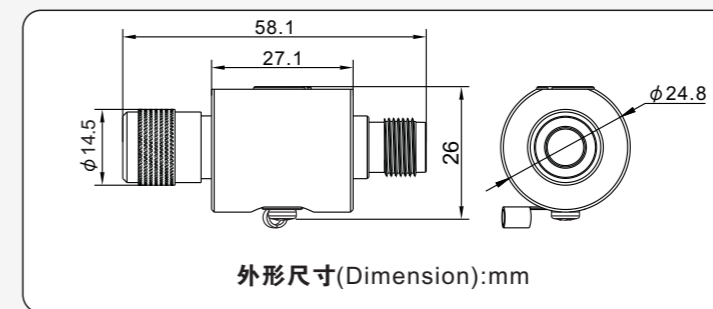
信号系统电涌保护

天馈信号防雷器

型号 货号	Model Number Art No.	WPX-AFA-25T 651 101	WPX-AFB-25T 651 111
SPD分类	SPD category	Type 1+Type 2	Type 1+Type 2
直流最大持续运行电压	DC Max Continuous Operating Voltage(Uc)	18V	18V
交流最大持续运行电压	AC Max Continuous Operating Voltage(Uc)	18V	18V
最大工作电流	Max working current (I _L)	3A	3A
D1冲击放电电流	D1 Impulse discharge current (10/350μs)(I _{imp})	1.5kA	1.5kA
C2标称放电电流	D1 Nominal discharge current (In)	10kA	10kA
D1电压保护水平	Voltage protection level D1(U _F)	≤400V	≤400V
C2电压保护水平	Voltage protection level D1(U _F)	≤700V	≤700V
C3电压保护水平	Voltage protection level wire-wire 1kV/us C3(U _F)	≤600V	≤600V
工作频率	The working frequency	0-2.5GHz	0-2.5GHz
适用功率	Applicable power	100W	100W
插入损耗	Insertion Loss(0-2.5GHz)	≤0.2dB	≤0.2dB
插入损耗	Insertion Loss(2.5-4GHz)	—	—
插入损耗	Insertion Loss(4-5.8GHz)	—	—
驻波比	VSWR	≤1.2	≤1.2
特性阻抗	Characteristic impedance	50Ω	50Ω
响应时间	Response Time(t _A)	≤15ns	≤15ns
相对湿度	Relative Humidity	≤95% (25°C)	≤95% (25°C)
工作温度范围	Working temperature range(TU)	-40°C---+80°C	-40°C---+80°C
大气压强	Atmospheric Pressure	86kPa...106kPa	86kPa...106kPa
接口类型	Model of port (input/output)	TNC-J/K	TNC-J/K
外壳材质	Housing material	黄铜/Brass	硬铝/Duralumin
安装地点	Installation place	室内Indoor/室外Outdoor	室内Indoor/室外Outdoor
防护等级	Degree of protection (IP code)	IP65	IP65
测试标准	Test Criteria	IEC 61643-21/GB/T 18802.21	IEC 61643-21/GB/T 18802.21



Antenna Feeder Surge Protector Series TNC



型号 货号	Model Number Art No.	WPX-AFC-25T 651 201	WPX-AFD-25T 651 211
SPD分类	SPD category	Type 1+Type 2	Type 1+Type 2
直流最大持续运行电压	DC Max Continuous Operating Voltage(Uc)	18V	18V
交流最大持续运行电压	AC Max Continuous Operating Voltage(Uc)	18V	18V
最大工作电流	Max working current (I _L)	3A	3A
D1冲击放电电流	D1 Impulse discharge current (10/350μs)(I _{imp})	1.5kA	1.5kA
C2标称放电电流	D1 Nominal discharge current (In)	10kA	10kA
D1电压保护水平	Voltage protection level D1(U _F)	≤400V	≤400V
C2电压保护水平	Voltage protection level D1(U _F)	≤700V	≤700V
C3电压保护水平	Voltage protection level wire-wire 1kV/us C3(U _F)	≤600V	≤600V
工作频率	The working frequency	0-2.5GHz	0-2.5GHz
适用功率	Applicable power	100W	100W
插入损耗	Insertion Loss(0-2.5GHz)	≤0.2dB	≤0.2dB
插入损耗	Insertion Loss(2.5-4GHz)	—	—
插入损耗	Insertion Loss(4-5.8GHz)	—	—
驻波比	VSWR	≤1.2	≤1.2
特性阻抗	Characteristic impedance	75Ω	75Ω
响应时间	Response Time(t _A)	≤15ns	≤15ns
相对湿度	Relative Humidity	≤95% (25°C)	≤95% (25°C)
工作温度范围	Working temperature range(TU)	-40°C---+80°C	-40°C---+80°C
大气压强	Atmospheric Pressure	86kPa...106kPa	86kPa...106kPa
接口类型	Model of port (input/output)	TNC-J/K	TNC-J/K
外壳材质	Housing material	黄铜/Brass	硬铝/Duralumin
安装地点	Installation place	室内Indoor/室外Outdoor	室内Indoor/室外Outdoor
防护等级	Degree of protection (IP code)	IP65	IP65
测试标准	Test Criteria	IEC 61643-21/GB/T 18802.21	IEC 61643-21/GB/T 18802.21

信号系统电涌保护

天馈信号防雷器