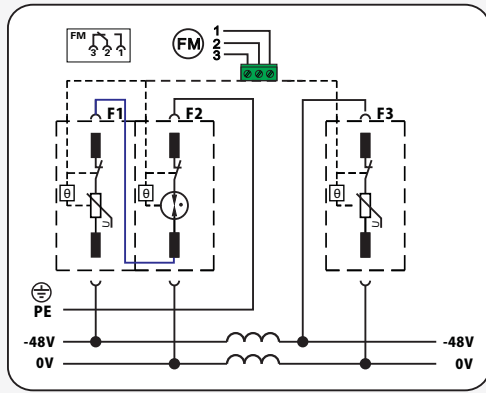


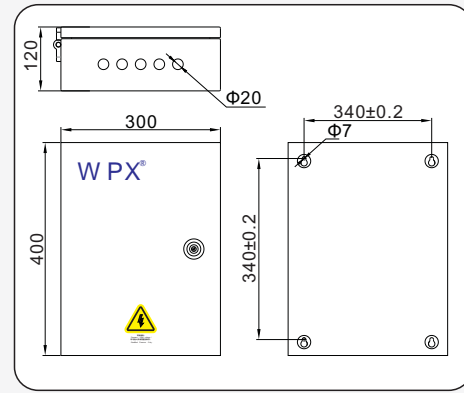
BDP Series C DC system 40kA/20kA

电涌保护器 2+3级/Class C+D



基本原理图 (Circuit Diagram)

BDPA C+D series 1+1 mode



外形尺寸(Dimension):mm

- 通流量大, 残压低; C+D级保护;
- 具有过热保护;
- 具有失效指示;
- 外壳防护等级为IP20, 阻燃等级为UL94 V0。

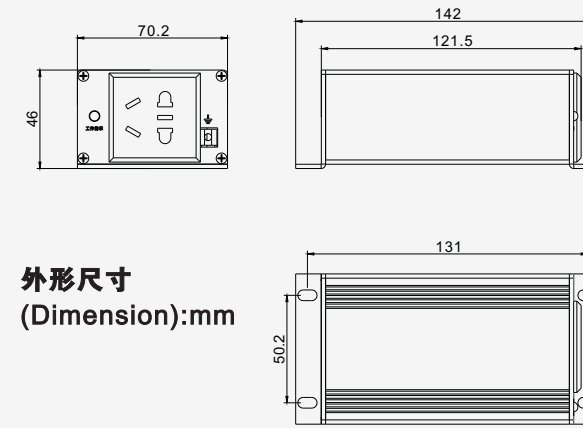
- ✧ High discharge capacity and low residual voltage, Class C+D protection;
- ✧ Failure indication;
- ✧ Overtemperature protection;
- ✧ IP20, UL94 V0

型号 货号	Model Number Art No.	1+1 mode	WPX-BDPA40-220/20 811 201	WPX-BDPA40-48/20 811 202
SPD根据	SPD according	IEC61643-11/GB 18802.1/EN 61643-11	Class II/Type 2	Class II/Type 2
适用系统	Applicable power supply system	DC system	DC system	DC system
保护模式	Modes of protection	DC+...DC-, DC-...PE	DC+...DC-, DC-...PE	DC+...DC-, DC-...PE
标称工作电压	Rated Working Voltage U ₀	220Vdc	48Vdc	
最大工作电流(串联时)	Max Continuous Operating Current I _n (in-out)	20A	20A	
最大持续运行电压	Max Continuous Operating Voltage U _c (DC+...DC-)	275Vdc	60Vdc	
最大持续运行电压	Max Continuous Operating Voltage U _c (DC-...PE)	220Vdc	48Vdc	
标称放电电流	Nominal Discharge Current I _n (8/20μs) (DC+...DC-)	20kA	20kA	
最大放电电流	Max Discharge Current I _n (8/20μs) (DC+...DC-)	40kA	40kA	
标称放电电流	Nominal Discharge Current I _n (8/20μs) (DC-...PE)	20kA	20kA	
最大放电电流	Max Discharge Current I _n (8/20μs) (DC-...PE)	40kA	40kA	
5kA时, 电压保护水平	5kA, Voltage Protection Level U _p (DC+...DC-)	≤0.55kV	≤0.1kV	
10kA时, 电压保护水平	10kA, Voltage Protection Level U _p (DC+...DC-)	≤0.6kV	≤0.15kV	
电压保护水平	In Voltage Protection Level U _p (DC+...DC-)	≤0.7kV	≤0.2kV	
电压保护水平	Voltage Protection Level U _p (DC-...PE)	≤1.5kV	≤1.0kV	
响应时间	Response Time t _A (DC+...DC-)	≤25ns	≤25ns	
响应时间	Response Time t _A (DC-...PE)	≤100ns	≤100ns	
后备熔断丝	Max. mains-side Overcurrent Protection(DC+)	125A(gL/gG)/非必须(No need)	125A(gL/gG)/非必须(No need)	
安装导线截面积(多芯)	Cross sectional area for wiring terminal connected to conductor	Stranded : 1.5 ~ 16mm ²	Stranded : 1.5 ~ 16mm ²	
安装导线截面积(单芯)	Cross sectional area for wiring terminal connected to conductor	Solid Wire : 1.5 ~ 25mm ²	Solid Wire : 1.5 ~ 25mm ²	
工作温度	Operating Temperature Range	-40°C...+80°C	-40°C...+80°C	
相对湿度	Relative Humidity	≤95% (25°C)	≤95% (25°C)	
大气压强	Atmospheric Pressure	86kPa...106kPa	86kPa...106kPa	
外壳材质	Enclosure material	冷轧钢板/SPCC/UL V-0	冷轧钢板/SPCC/UL V-0	
安装形式	Mounting	壁挂式	壁挂式	
防护等级	Degree of protection (IP code)	IP20	IP20	

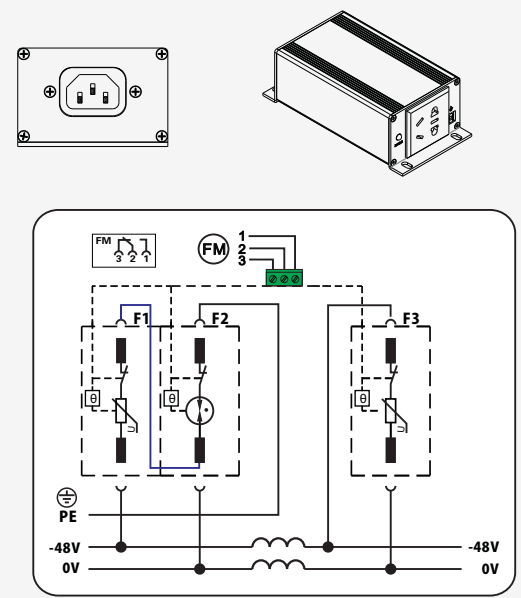
Protection/Power

电涌保护器 2&3级/Class C&D

BDP Series 20kA



外形尺寸
(Dimension):mm



基本原理图 (Circuit Diagram)

BDPA C+D series 1+1 mode

- 体积小、重量轻、结构简单、安装方便;
- 具有过热保护, C+D级保护;
- 具有工作指示、劣化指示和热脱离功能;
- 外壳防护等级为IP20, 阻燃等级为UL94 V0。

- ✧ Simple structure and easy installation, small and light;
- ✧ Overheat protection, Class C+D protection;
- ✧ Operating indication, degradation indication, and thermal separation;
- ✧ IP20, UL94 V0

WPX-BDPA20-12/5 811 203	WPX-BDPA20-24/10 811 204	WPX-BDPA20-48/10 811 205	WPX-BDPA40-220/10 811 206
Class II/Type 2	Class II/Type 2	Class II/Type 2	Class II/Type 2
DC system	DC system	DC system	DC system
DC+...DC-, DC-...PE	DC+...DC-, DC-...PE	DC+...DC-, DC-...PE	DC+...DC-, DC-...PE
12Vdc	24Vdc	48Vdc	220Vdc
5A	10A	10A	10A
18Vdc	35Vdc	60Vdc	275Vdc
12Vdc	24Vdc	48Vdc	220Vdc
10kA	10kA	20kA	20kA
20kA	20kA	40kA	40kA
10kA	10kA	20kA	20kA
20kA	20kA	40kA	40kA
≤45V	≤50V	≤0.12kV	≤0.7kV
≤50V	≤75V	≤0.13kV	≤0.9kV
≤50V	≤75V	≤0.15kV	≤1.0kV
≤0.7kV	≤0.7kV	≤0.7kV	≤1.5kV
≤5ns	≤5ns	≤25ns	≤25ns
≤100ns	≤100ns	≤100ns	≤100ns
非必须(No need)	非必须(No need)	非必须(No need)	非必须(No need)
—	—	—	—
—	—	—	—
-40°C...+80°C	-40°C...+80°C	-40°C...+80°C	-40°C...+80°C
≤95% (25°C)	≤95% (25°C)	≤95% (25°C)	≤95% (25°C)
86kPa...106kPa	86kPa...106kPa	86kPa...106kPa	86kPa...106kPa
冷轧钢板/SPCC/UL V-0	冷轧钢板/SPCC/UL V-0	冷轧钢板/SPCC/UL V-0	冷轧钢板/SPCC/UL V-0
壁挂式/DIN 35mm rail	壁挂式/DIN 35mm rail	壁挂式/DIN 35mm rail	壁挂式/DIN 35mm rail
IP20	IP20	IP20	IP20