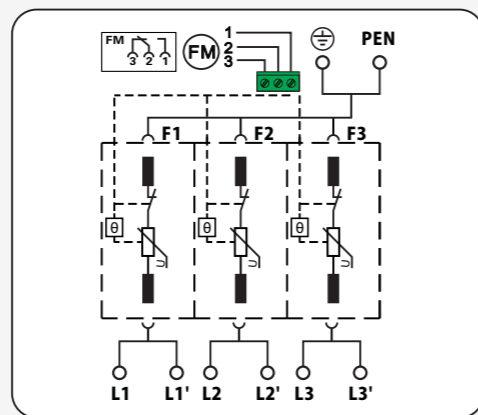
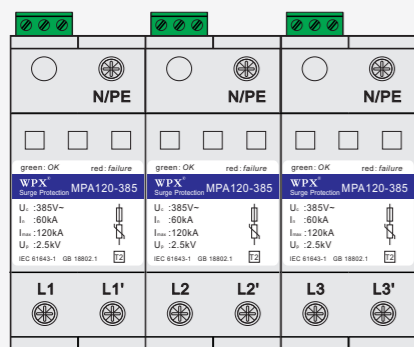


MP Series TNC/IT 120kA

电涌保护器 1级/Class B



基本原理图 (Circuit Diagram)

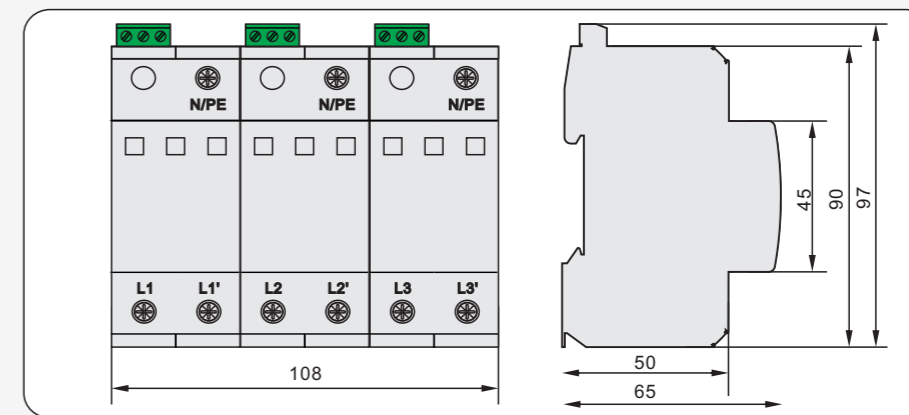
- 通信功能;
- 通流量大, 残压低;
- 具有过热保护;
- 具有工作、失效指示;
- 外壳防护等级为IP20, 阻燃等级为UL94 V0

型号 货号	Model Number Art No.	WPX-MPA120-460/3-FM 930 606	WPX-MPA120-460/3 930 616
SPD根据	SPD according	IEC61643-11/GB 18802.1/EN 61643-11	Class II/Type 2
适用系统	Applicable power supply system	TN-C/IT	TN-C/IT
保护模式	Modes of protection	L1/L2/L3-PEN	L1/L2/L3-PEN
标称工作电压	Rated Working Voltage U _o	230V/400V~/400V/690V~	230V/400V~/400V/690V~
最大标称工作电流 (串联时)	Maximum nominal operating current (series)	125A	125A
最大持续运行电压	Max Continuous Operating Voltage U _c (L-PEN)	460V~	460V~
总放电电流	Total Discharge Current I _{total} (8/20μs) (L1+L2+L3-PEN)	360kA	360kA
标称放电电流	Nominal Discharge Current I _n (8/20μs) (L-PEN)	60kA	60kA
最大放电电流	Max Discharge Current I _n (8/20μs) (L-PEN)	120kA	120kA
5kA时, 电压保护水平	5kA, Voltage Protection Level U _p (L-PEN)	≤1.6kV	≤1.6kV
20kA时, 电压保护水平	20kA, Voltage Protection Level U _p (L-PEN)	≤2.2kV	≤2.2kV
电压保护水平 I _n	Voltage Protection Level U _p (L-PEN)	≤3.0kV	≤3.0kV
响应时间	Response Time t _A	≤25ns	≤25ns
后备熔断丝	Max. mains-side Overcurrent Protection(L)	400A(gL/gG)	400A(gL/gG)
安装导线截面积(多芯)	Cross sectional area for wiring terminal connected to conductor	Stranded : 4~25mm ²	Stranded : 4~25mm ²
安装导线截面积(单芯)	Cross sectional area for wiring terminal connected to conductor	Solid Wire : 4~35mm ²	Solid Wire : 4~35mm ²
工作温度(并联)	Operating Temperature Range(in parallel)	-40°C...+80°C	-40°C...+80°C
工作温度(串联)	Operating Temperature Range(series)	-40°C...+60°C	-40°C...+60°C
相对湿度	Relative Humidity	≤95% (25°C)	≤95% (25°C)
大气压强	Atmospheric Pressure	86kPa...106kPa	86kPa...106kPa
工作频率	Working Frequency	42Hz...68Hz	42Hz...68Hz
扭矩: 接线端子/通信	Torque: wiring terminal/remote signaling interface	2.5Nm/0.25Nm	2.5Nm
外壳材质	Enclosure material	合金塑料/UL V-0	合金塑料/UL V-0
安装形式	Mounting	DIN 35mm rail	DIN 35mm rail
防护等级	Degree of protection (IP code)	IP20	IP20
通信接口安装导线截面积	Max. Cross-sectional Area For Remote Signaling Interface	1.5mm ²	——
通信触点类型	Intensity of Remote Signalling Alarm Contact	AC:250V/ 0.75A 125V/ 3A	——
		DC : 30V/ 2A	——

电涌保护器 1级/Class B

MP Series TNC/IT 120kA

(L×W×H)(FM) : 108mm×97mm×65mm



外形尺寸(Dimension):mm

- Intensity of Remote Signalling Alarm Contact;
- High discharge capacity and low residual voltage;
- Overtemperature protection;
- Failure indication and centralized remote signalling alarm dry contacts;
- IP20, UL94 V0

WPX-MPA120-420/3-FM 930 605	WPX-MPA120-420/3 930 615	WPX-MPA120-385/3-FM 930 604	WPX-MPA120-385/3 930 614
Class II/Type 2	Class II/Type 2	Class II/Type 2	Class II/Type 2
TN-C/IT	TN-C/IT	TN-C/IT	TN-C/IT
L1/L2/L3-PEN	L1/L2/L3-PEN	L1/L2/L3-PEN	L1/L2/L3-PEN
230V/400V~	230V/400V~	230V/400V~	230V/400V~
125A	125A	125A	125A
420V~	420V~	385V~	385V~
360kA	360kA	360kA	360kA
60kA	60kA	60kA	60kA
120kA	120kA	120kA	120kA
≤1.5kV	≤1.5kV	≤1.4kV	≤1.4kV
≤2.0kV	≤2.0kV	≤1.8kV	≤1.8kV
≤2.8kV	≤2.8kV	≤2.5kV	≤2.5kV
≤25ns	≤25ns	≤25ns	≤25ns
400A(gL/gG)	400A(gL/gG)	400A(gL/gG)	400A(gL/gG)
Stranded : 4~25mm ²	Stranded : 4~25mm ²	Stranded : 4~25mm ²	Stranded : 4~25mm ²
Solid Wire : 4~35mm ²	Solid Wire : 4~35mm ²	Solid Wire : 4~35mm ²	Solid Wire : 4~35mm ²
-40°C...+80°C	-40°C...+80°C	-40°C...+80°C	-40°C...+80°C
-40°C...+60°C	-40°C...+60°C	-40°C...+60°C	-40°C...+60°C
≤95% (25°C)	≤95% (25°C)	≤95% (25°C)	≤95% (25°C)
86kPa...106kPa	86kPa...106kPa	86kPa...106kPa	86kPa...106kPa
42Hz...68Hz	42Hz...68Hz	42Hz...68Hz	42Hz...68Hz
2.5Nm/0.25Nm	2.5Nm	2.5Nm/0.25Nm	2.5Nm
合金塑料/UL V-0	合金塑料/UL V-0	合金塑料/UL V-0	合金塑料/UL V-0
DIN 35mm rail	DIN 35mm rail	DIN 35mm rail	DIN 35mm rail
IP20	IP20	IP20	IP20
1.5mm ²	——	1.5mm ²	——
AC:250V/ 0.75A 125V/ 3A	——	AC:250V/ 0.75A 125V/ 3A	——
DC : 30V/ 2A	——	DC : 30V/ 2A	——