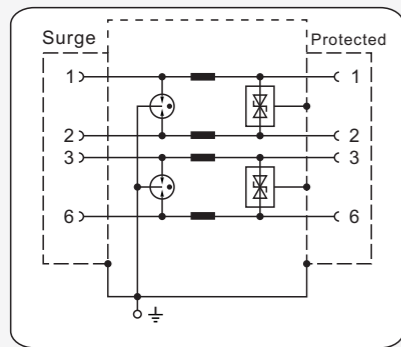
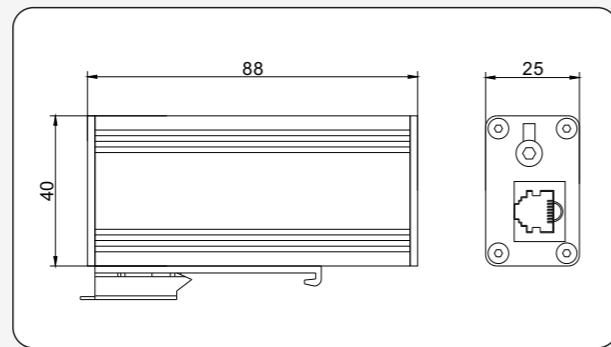


Network Surge Protector Series

电涌保护器 2+3级/Class C+D



基本原理图 (Circuit Diagram)



外形尺寸(Dimension):mm

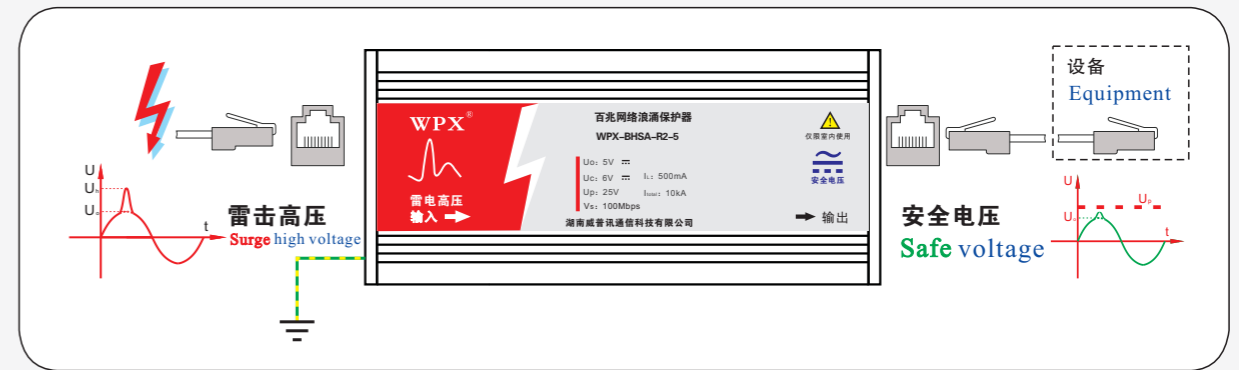
WPX-BHSA-R2-5, 1端口100M网络防雷器,用于护高速以太网内部接口电路。串接在被保护设备的输入端,当传输线遭受到雷电感应时,雷电流通过保护器的雷电支路泄放到大地,并将雷电过电压箝位在设备允许的电压范围内,从而确保了设备的安全。

WPX-BHSA-R2-5, Signal SPD is used for protection of the interface circuit of high speed Ethernet. It is connected in the input end of protected equipment. When the transmission line is struck by lightning, the lightning current is discharged to the earth through the lightning branches, and the lightning overvoltage is clamped within a proper range, thus the security of equipment being ensured.

型号 货号	Model Number Art No.	WPX-BHSA-R2-5 691 401	WPX-BHSA-R2-5K 691 411
SPD分类	SPD category	Type2	Type2
标称工作电压	Rated Working Voltage(U ₀)	5V	5V
直流最大持续运行电压	DC Max Continuous Operating Voltage(U _c)	6V	6V
交流最大持续运行电压	AC Max Continuous Operating Voltage(U _c)	4.8V	4.8V
最大工作电流	Max working current (I _t)	0.5A	0.5A
C2线-线总标称放电电流	C2 Total nominal discharge current (8/20μs)(I _{total})	5kA	5kA
C2线-线每线标称放电电流	C2 nominal discharge current (8/20μs)per wire (I _n)	2.5kA	2.5kA
C2线-PE总标称放电电流	Total nominal discharge current C2-PE(I _{total})	10kA	10kA
C2线-PE每线标称放电电流	Nominal discharge current per wire C2-PE(I _n)	2.5kA	2.5kA
线-线电压保护水平	Voltage protection level wire-wire C2(U _p)	≤50V	≤50V
线-PE电压保护水平	Voltage protection level wire-PE C2(U _p)	≤70V	≤70V
线-线电压保护水平	Voltage protection level wire-wire 1kV/usC3(U _p)	≤25V	≤25V
线-PE电压保护水平	Voltage protection level wire-PE 1kV/usC3(U _p)	≤25V	≤25V
响应时间	Response Time(t _a)	≤1ns	≤1ns
传输速率	Transmission rate	100Mbps	100Mbps
插入损耗	Insertion Loss(100MHz)	≤1.0dB	≤1.0dB
串联阻抗	Impedance in series	≤0.5Ω	≤0.5Ω
被保护脚	Protected pin	1/2;3/6;	1/2;3/6;
相对湿度	Relative Humidity	≤95% (25°C)	≤95% (25°C)
工作温度范围	Working temperature range(TU)	-40°C---+80°C	-40°C---+80°C
大气压强	Atmospheric Pressure	86kPa...106kPa	86kPa...106kPa
接线方式	Wiring methods	RJ45(屏蔽/shield)	RJ45(屏蔽/shield)
端口数量	Port numbers	in-1×RJ45 ; out-1×RJ45	in-1×RJ45 ; out-1×RJ45
外壳材质	Housing material	铝合金/Aluminum	铝合金/Aluminum
安装地点	Installation place	室内/Indoor	室内/Indoor
防护等级	Degree of protection (IP code)	IP20	IP20
安装方式	Installation methods	便携式/Random	DIN 35mm rail

电涌保护器 2+3级/Class C+D

Network Surge Protector Series



接线方式 Wiring installation

WPX-PHSA-R4-24 691 403	WPX-PHSA-R4-24K 691 413	WPX-PHSA-R4-48 691 404	WPX-PHSA-R4-48K 691 414
Type2	Type2	Type2	Type2
24V/(POE)	24V/(POE)	48V/(POE)	48V/(POE)
30V	30V	58V	58V
28V	28V	52V	52V
0.5A	0.5A	0.5A	0.5A
5kA	5kA	5kA	5kA
2.5kA	2.5kA	2.5kA	2.5kA
10kA	10kA	10kA	10kA
2.5kA	2.5kA	2.5kA	2.5kA
≤80V	≤80V	≤120V	≤120V
≤90V	≤90V	≤150V	≤150V
≤45V	≤45V	≤90V	≤90V
≤45V	≤45V	≤90V	≤90V
≤1ns	≤1ns	≤1ns	≤1ns
100Mbps	100Mbps	100Mbps	100Mbps
≤1.0dB	≤1.0dB	≤1.0dB	≤1.0dB
≤0.5Ω	≤0.5Ω	≤0.5Ω	≤0.5Ω
1/2;3/6;4/5(V+/V-);7/8(V+/V-)	1/2;3/6;4/5(V+/V-);7/8(V+/V-)	1/2;3/6;4/5(V+/V-);7/8(V+/V-)	1/2;3/6;4/5(V+/V-);7/8(V+/V-)
≤95% (25°C)	≤95% (25°C)	≤95% (25°C)	≤95% (25°C)
-40°C---+80°C	-40°C---+80°C	-40°C---+80°C	-40°C---+80°C
86kPa...106kPa	86kPa...106kPa	86kPa...106kPa	86kPa...106kPa
RJ45(屏蔽/shield)	RJ45(屏蔽/shield)	RJ45(屏蔽/shield)	RJ45(屏蔽/shield)
in-1×RJ45 ; out-1×RJ45	in-1×RJ45 ; out-1×RJ45	in-1×RJ45 ; out-1×RJ45	in-1×RJ45 ; out-1×RJ45
铝合金/Aluminum	铝合金/Aluminum	铝合金/Aluminum	铝合金/Aluminum
室内/Indoor	室内/Indoor	室内/Indoor	室内/Indoor
IP20	IP20	IP20	IP20
便携式/Random	DIN 35mm rail	壁挂安装/Wall mounting	DIN 35mm rail